

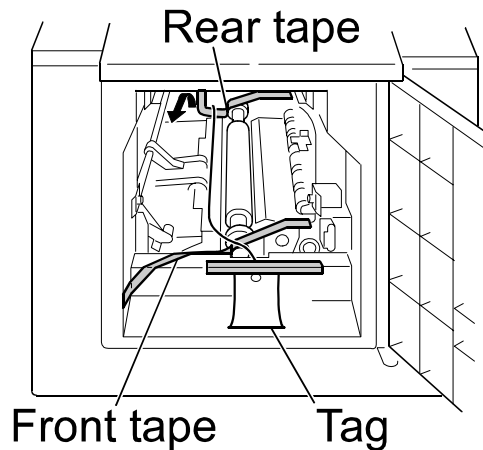
Model: PRIPORT TITANIUM		Date: 7-Apr-03	No: R-C252-001
Subject: Notes the model TT installation		Prepared by: M. Ohtsubo, Priport Service Planning Section	
Classification:	<input type="checkbox"/> Troubleshooting	<input type="checkbox"/> Part information	<input type="checkbox"/> Action required
	<input type="checkbox"/> Mechanical	<input type="checkbox"/> Electrical	<input checked="" type="checkbox"/> Service manual revision
	<input type="checkbox"/> Paper path	<input type="checkbox"/> Transmit/receive	<input type="checkbox"/> Retrofit information
	<input type="checkbox"/> Other ()		
Model Name: Ricoh JP730/JP750/JP780C, Gestetner 6123lcp/5410c/6123cp, Lanier LDD 730, nashuatec 6123cp, RexRotary 6123cp			

Please add the following information to your Titanium Service Manuals, which has been applied from the beginning of mass production.

Important note for installation:

Strips of tape have been added as shown below to secure the Press Roller during transport. Please make sure to remove the tape and tag before machine operation begins. If they are not removed:

- Paper jams or blank images may occur, due to the lack of pressure on the Press Roller.
- The tape may stick to the drum screen or Press Roller.



Reissued: 25-Sep-03
RTB Correction

Model: PRIPORT TITANIUM		Date: 14-Apr-03	No: R-C252-002a
Subject: Firmware Modification History		Prepared by: M. Ohtsubo, Priport Service Planning Section	
Classification:	<input type="checkbox"/> Troubleshooting	<input type="checkbox"/> Part information	<input type="checkbox"/> Action required
	<input type="checkbox"/> Mechanical	<input type="checkbox"/> Electrical	<input type="checkbox"/> Service manual revision
	<input type="checkbox"/> Paper path	<input type="checkbox"/> Transmit/receive	<input type="checkbox"/> Retrofit information
	<input checked="" type="checkbox"/> Other ()		
Model Name: Ricoh JP730/JP750/JP780C, Gestetner 6123lcp/5410c/6123cp, Lanier LDD 730, nashuatec 6123cp, RexRotary 6123cp			

This is to inform you of the firmware history for the Titanium. Items in ***bold italics*** have been either corrected or added.

FIRMWARE MODIFICATION HISTORY

C2525105	File Name	C. SUM	Production
<i>F</i>	<i>C2525105F.bin</i>	<i>56BA</i>	<i>F3130970947</i>
E	C2525105E.bin	56B6	April, 2003 production
D	C2525105D.bin	6917	1st Mass Production

Reissued: 25-Sep-03
RTB Correction

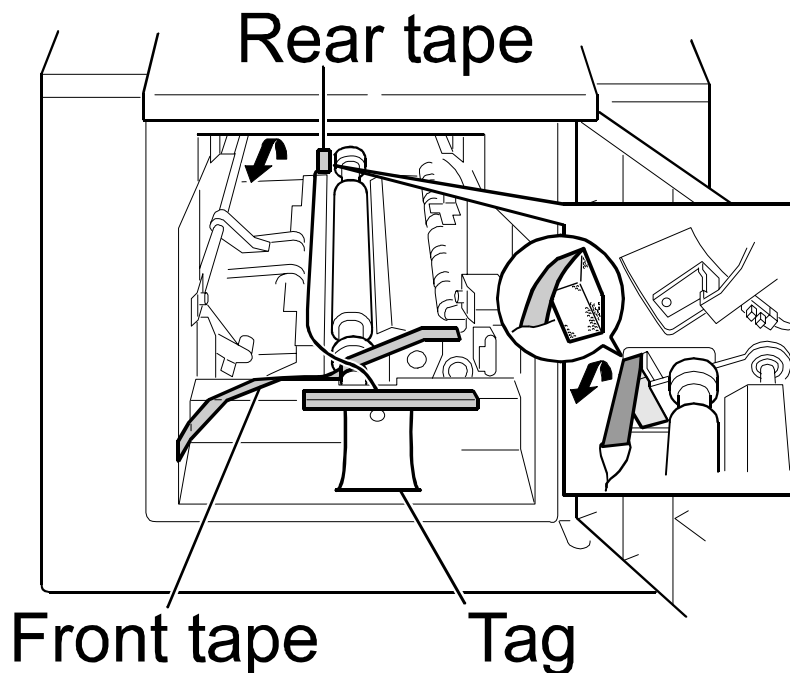
Model: PRIPORT TITANIUM	Date: 14-Apr-03	No: R-C252-002a
--------------------------------	------------------------	------------------------

Symptom Corrected	Suffix
- <i>Changed the binary processing data to darken the image density of orange when the letter and darker modes were selected.</i>	F
- Changed the gamma correction data to darken the image density in photo mode.	E
-	D

Model: PRIPORT TITANIUM	Date: 23-Oct-03	No: R-C252-003	
Subject: Notes for model TT installation - revision	Prepared by: M. Ohtsubo, Priport Service Planning Section		
Classification:	<input type="checkbox"/> Troubleshooting	<input type="checkbox"/> Part information	<input type="checkbox"/> Action required
	<input type="checkbox"/> Mechanical	<input type="checkbox"/> Electrical	<input checked="" type="checkbox"/> Service manual revision
	<input type="checkbox"/> Paper path	<input type="checkbox"/> Transmit/receive	<input type="checkbox"/> Retrofit information
	<input type="checkbox"/> Other ()		
Model Name: Ricoh JP730/JP750/JP780C, Gestetner 6123lcp/5410c/6123cp, Lanier LDD 730, nashuatec 6123cp, RexRotary 6123cp			

Important Note for Installation:

As announced in RTB #RC252-001, a Styrene foam sponge is used to ensure that the rear shipping tape stays properly fixed in place, which prevents the printing pressure release lever from unlocking. At installation, please remove the rear tape by pulling the portion shown in the photo below toward the front of the machine.



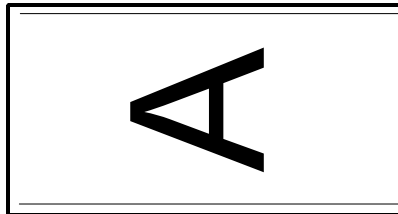
Model: PRIPORT TITANIUM**Date:** 23-Oct-03**No:** R-C252-003**CUT IN SERIAL NUMBERS**

Model Name	V/Hz	Destination	Code	Serial Number
Nsa 6123cp, Rex 6123cp, Ges 6123cp	230/50	Europe, Asia, etc	C252-72	F3130770001
Ricoh JP780C	230/50	China	C252-76	
Ricoh JP750	230/50	Europe, Asia, etc	C252-77	
Ges 5410c	230/50	China	C252-78	
Ricoh JP730, Ges 6123lcp, Lanier LDD730	120/60	Latin America	C252-92	

Model: PRIPORT TITANIUM		Date: 9-Mar-05	No: R-C252-004
Subject: Black line on the copy print		Prepared by: M. Ohtsubo, Priport Service Planning Section	
Classification:	<input checked="" type="checkbox"/> Troubleshooting	<input type="checkbox"/> Part information	<input type="checkbox"/> Action required
	<input type="checkbox"/> Mechanical	<input type="checkbox"/> Electrical	<input type="checkbox"/> Service manual revision
	<input type="checkbox"/> Paper path	<input type="checkbox"/> Transmit/receive	<input type="checkbox"/> Retrofit information
	<input type="checkbox"/> Other ()		
Model Name: Ricoh JP730/JP750/JP780C, Gestetner 6123lcp/5410c/6123cp, Lanier LDD 730, nashuatec 6123cp, RexRotary 6123cp			

SYMPTOM

The left or/and right edges of the original can be seen on the printout as black lines.



← Paper feed direction

CAUSE

1. The paper tray side fences are not aligned with the scanner unit side fences.

Or,

2. The original is smaller than the printing paper.

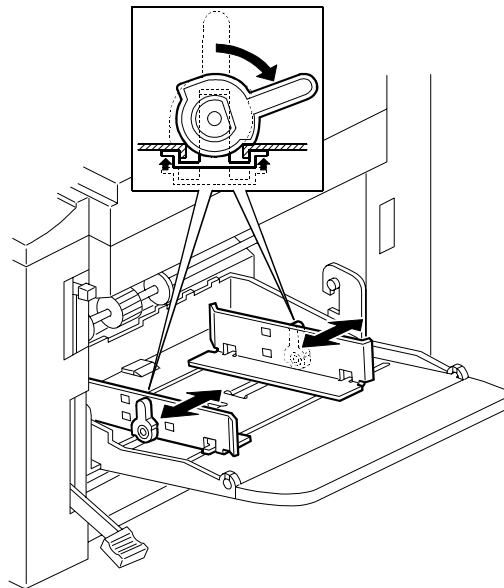
Note: The Titanium has the following limitations.

- The machine cannot detect the original size or printing paper size.
- The machine makes the master image onto two sizes only: 253 mm x 358 mm (B4 model) or 216 mm x 358 mm (LG model). It does not change the size of the master image to match the size of the original or printing paper.

SOLUTION

For cause 1:

1. Measure the distance from the paper edge to the black line (X mm).
2. Move the side fences a distance of about X mm, so that the edge of the paper aligns with the edge of the original.
3. Check the print results. Repeat this until you cannot see the black line on the printout.



For cause 2:

1. Decrease the image density setting, or
2. Increase the magnification setting so that the original size matches the print paper size.